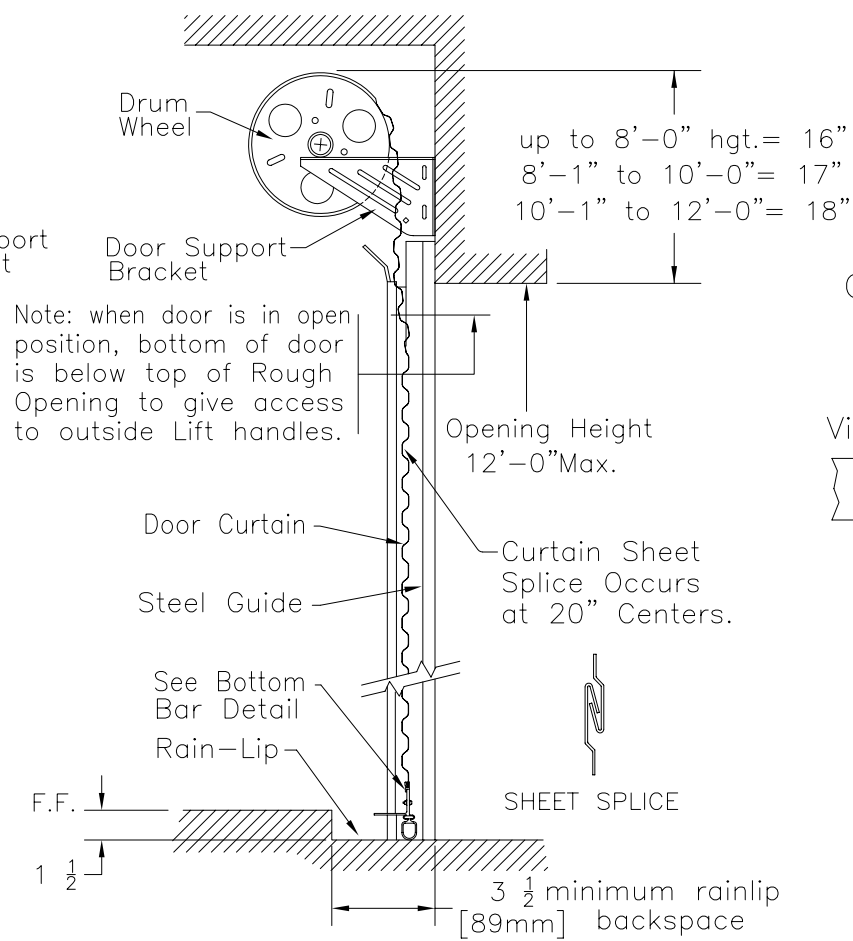


**INTERIOR ELEVATION**

Scale: None

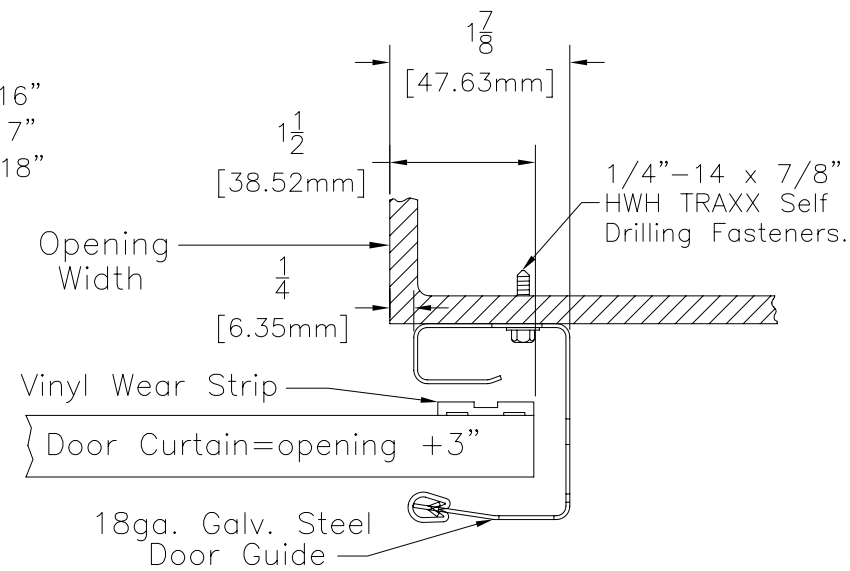
Maximum spacing of guide anchors "X" = 32".

Door Curtain: .017 Hot Dip Galvanized Steel  
 ASTM A-653 Structural Steel  
 (Grade 80) With Full Coat Of Primer And  
 Baked Polyester Finish Coat.

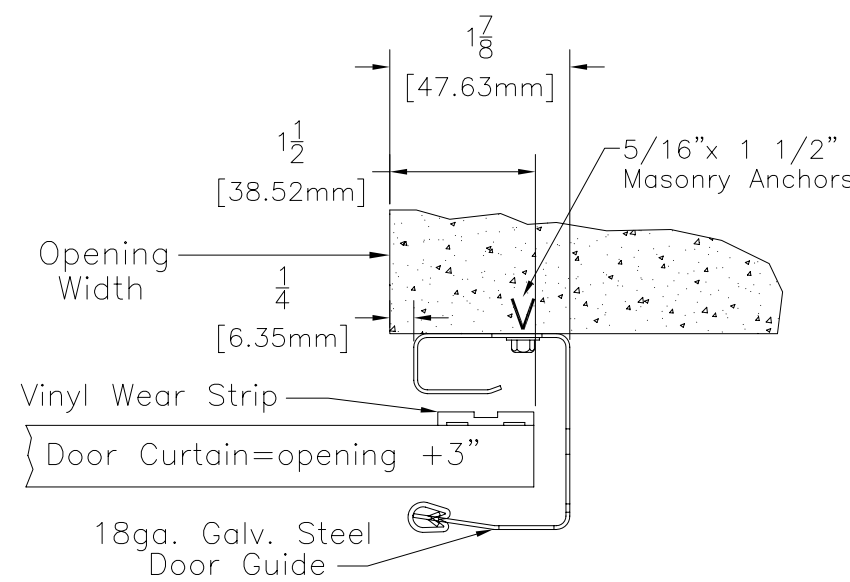


**SECTION THRU DOOR**

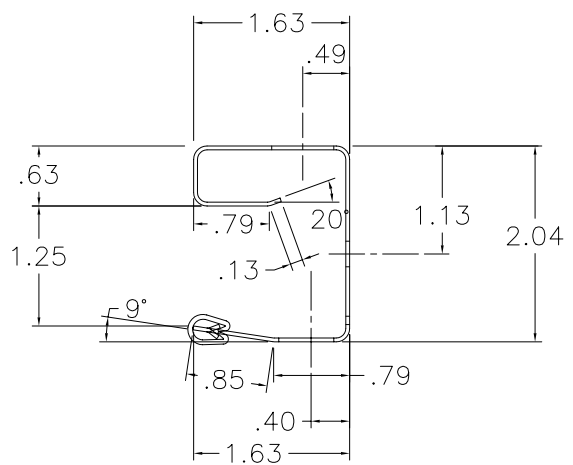
Scale: None



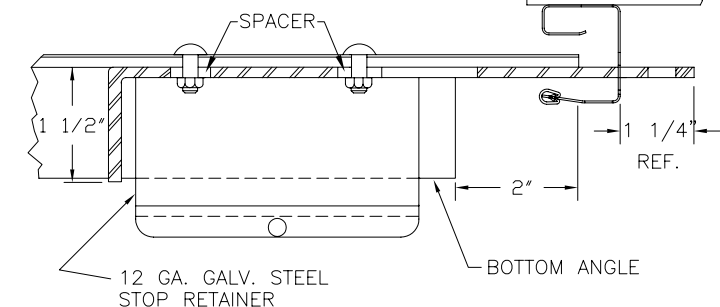
**MODEL 536 STEEL JAMB**



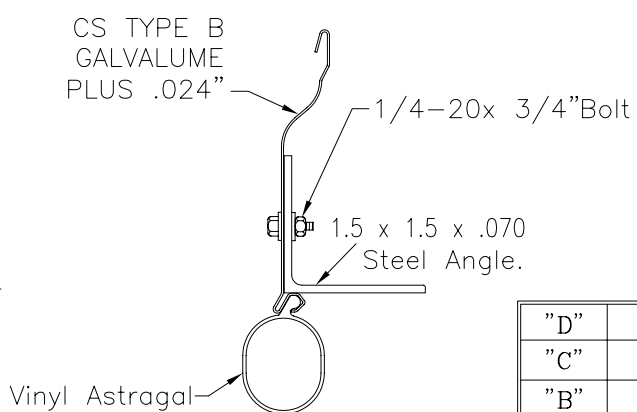
**MODEL 536 MASONRY JAMB**



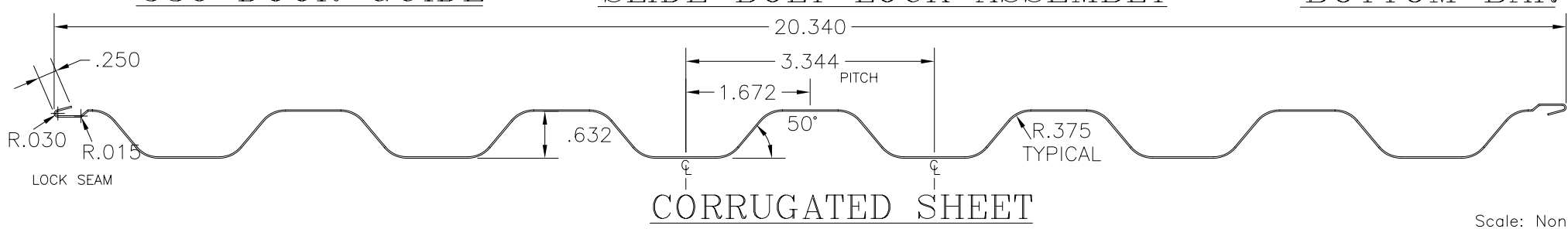
**536 DOOR GUIDE**



**SLIDE BOLT LOCK ASSEMBLY**



**BOTTOM BAR**



**CORRUGATED SHEET**

"D"				
"C"				
"B"				
"A"				
DOOR	QTY.	WIDTH x HGT.	TYPE OF OPERATION	SPECIAL COMMENTS

Maximum door size 12'-0" wide x 12'-0" high

**MODEL 536**

	JOB: _____	DATE: 07.01.09 SHEET: 1
	CONTRACTOR: _____	DRAWN BY: C.D.W.
ARCHITECT: _____	CHECKED BY: _____	
ADDRESS: _____	DRAWING NUMBER	
DISTRIBUTOR: _____		
ADDRESS: _____		

536-00-144

Scale: None

July 1, 2009