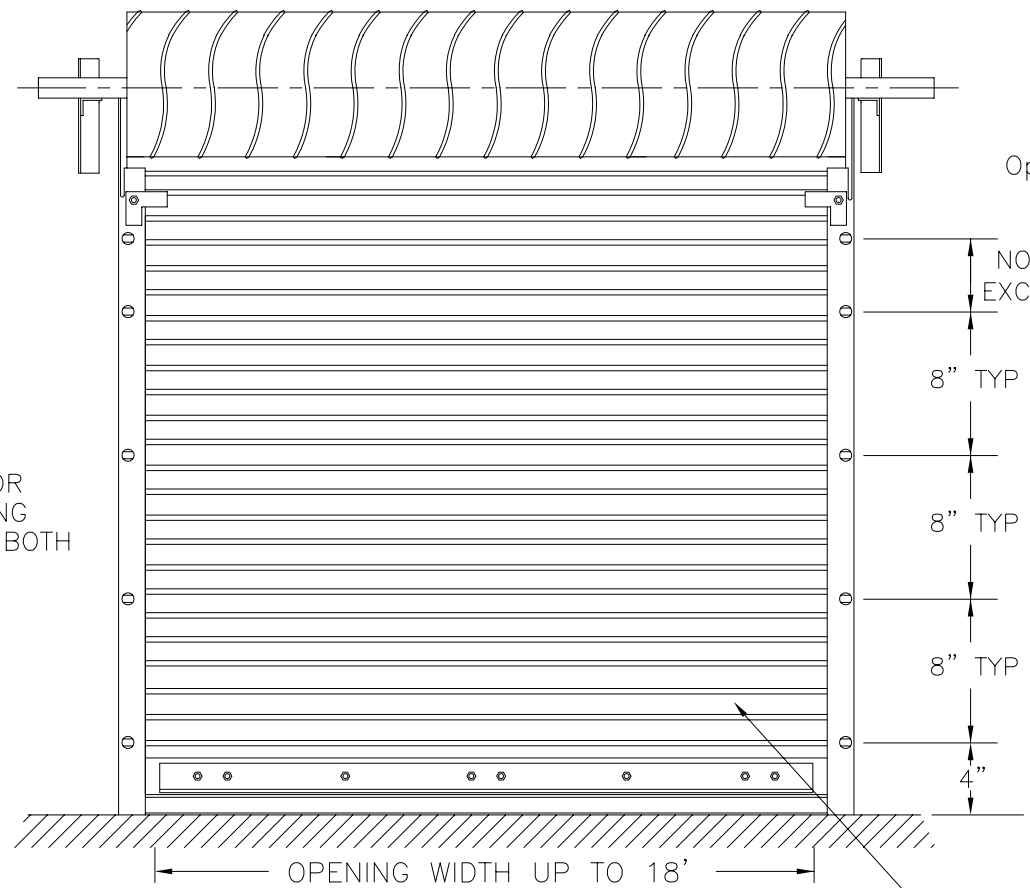
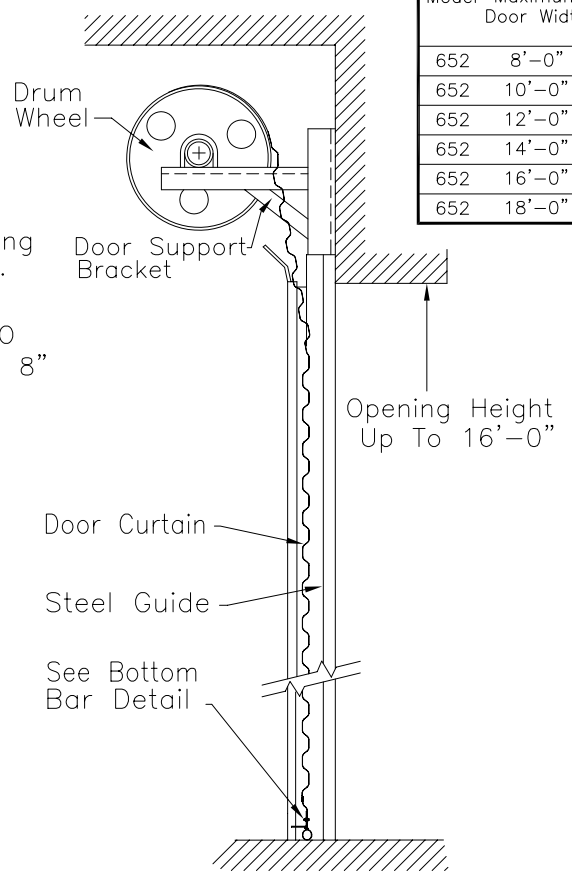


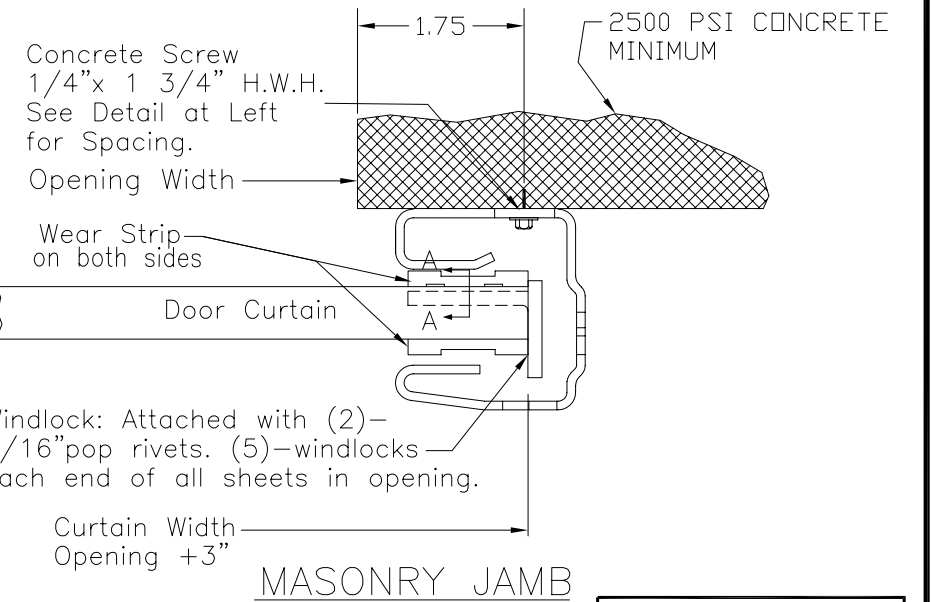
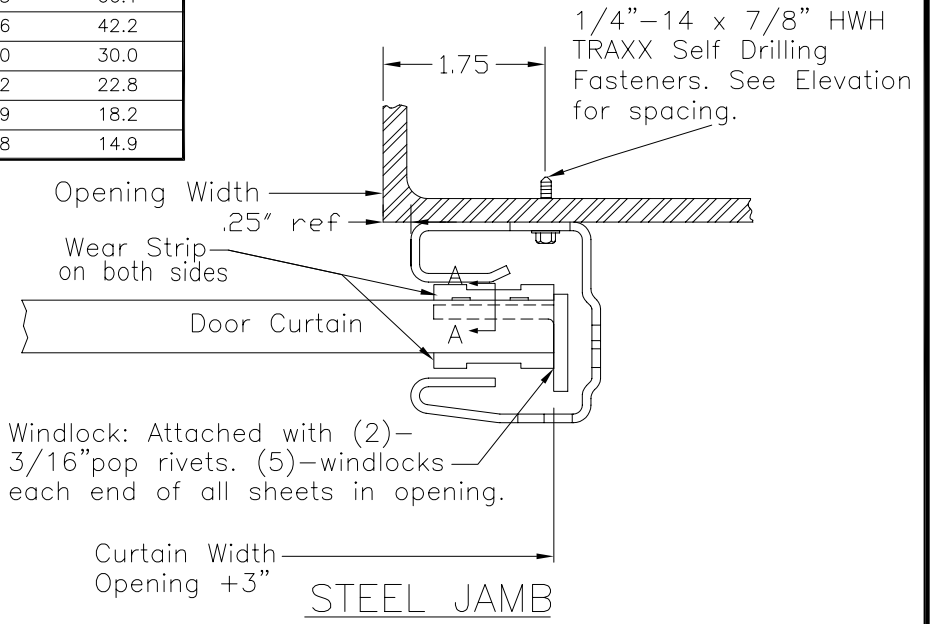
Model	Maximum Door Width	Maximum Door Height	Drawing Number	Design Load Positive P.S.F.	Design Load Negative P.S.F.
652	8'-0"	16'-0"	652-30-144	62.5	66.1
652	10'-0"	16'-0"	652-30-144	39.6	42.2
652	12'-0"	16'-0"	652-30-144	28.0	30.0
652	14'-0"	16'-0"	652-30-144	21.2	22.8
652	16'-0"	16'-0"	652-30-144	16.9	18.2
652	18'-0"	16'-0"	652-30-144	13.8	14.9



**INTERIOR ELEVATION**  
Scale: None



**SECTION @ DOOR**  
Scale: None

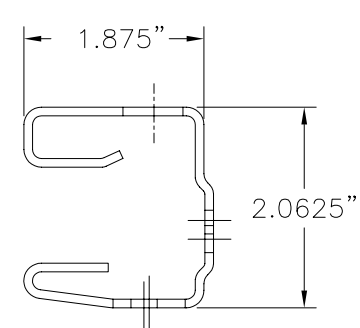


Refer to test report  
CTLA 1927W

Doors designed for 28 #/ft<sup>2</sup> POS. & 30 #/ft<sup>2</sup> NEG. PSF wind load  
Maximum door size 18'-0" wide x 16'-0" high

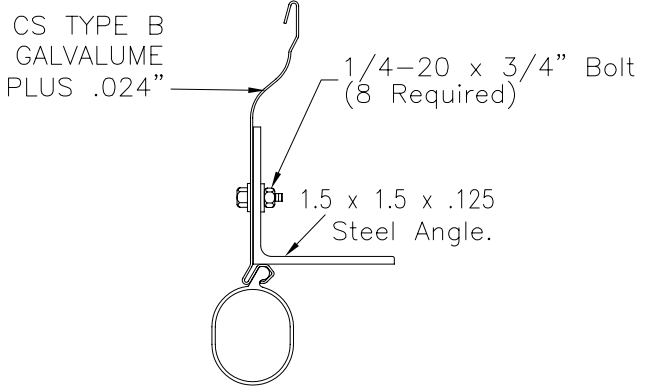
ANCHOR  
SPACING  
SAME BOTH  
SIDES

Door Curtain:  
.017±.001 Hot Dip Galvanized Steel  
ASTM A-653 Structural Steel  
(Grade 80) With Full Coat Of Primer And  
Baked Polyester Finish Coat.

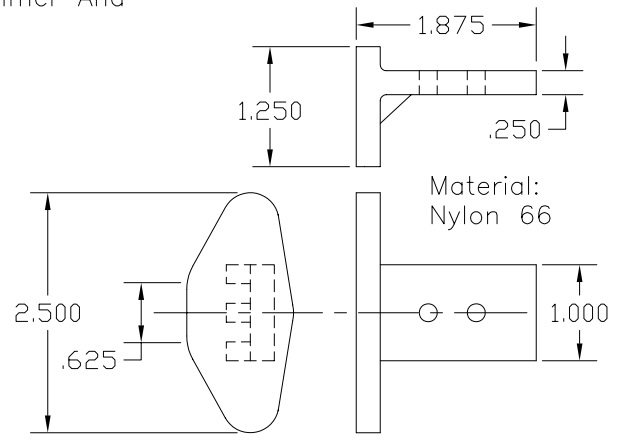


Material: CS type "B"  
G40 Thickness .070"

**DOOR GUIDE**

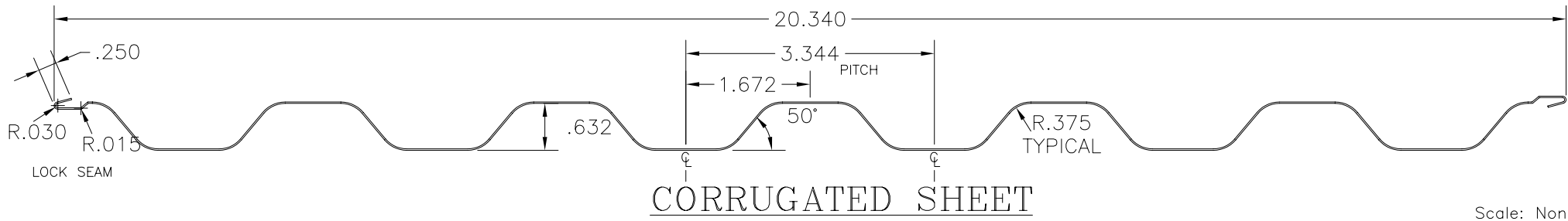


**BOTTOM BAR**



**WIND LOCK P/N U220011**

Material:  
Nylon 66



**CORRUGATED SHEET**

DOOR	QTY.	WIDTH	HEIGHT	TYPE OF OPERATION	SPECIAL COMMENTS
D					
C					
B					
A					

**MODEL 652-30**

**U.S. Door**  
& Building Components  
10407 Rocket Blvd. Orlando Fl. 32824  
407.859.6770 Fax 407.447.2923 usdoor.com

JOB: \_\_\_\_\_  
CONTRACTOR: \_\_\_\_\_  
ARCHITECT: \_\_\_\_\_  
ADDRESS: \_\_\_\_\_  
DISTRIBUTOR: \_\_\_\_\_  
ADDRESS: \_\_\_\_\_

DATE: 1/06/08 SHEET: 1  
DRAWN BY: C.D.W.  
CHECKED BY: G.O.G.  
DRAWING NUMBER  
652-30-144

Scale: None

Revised 02/27/09