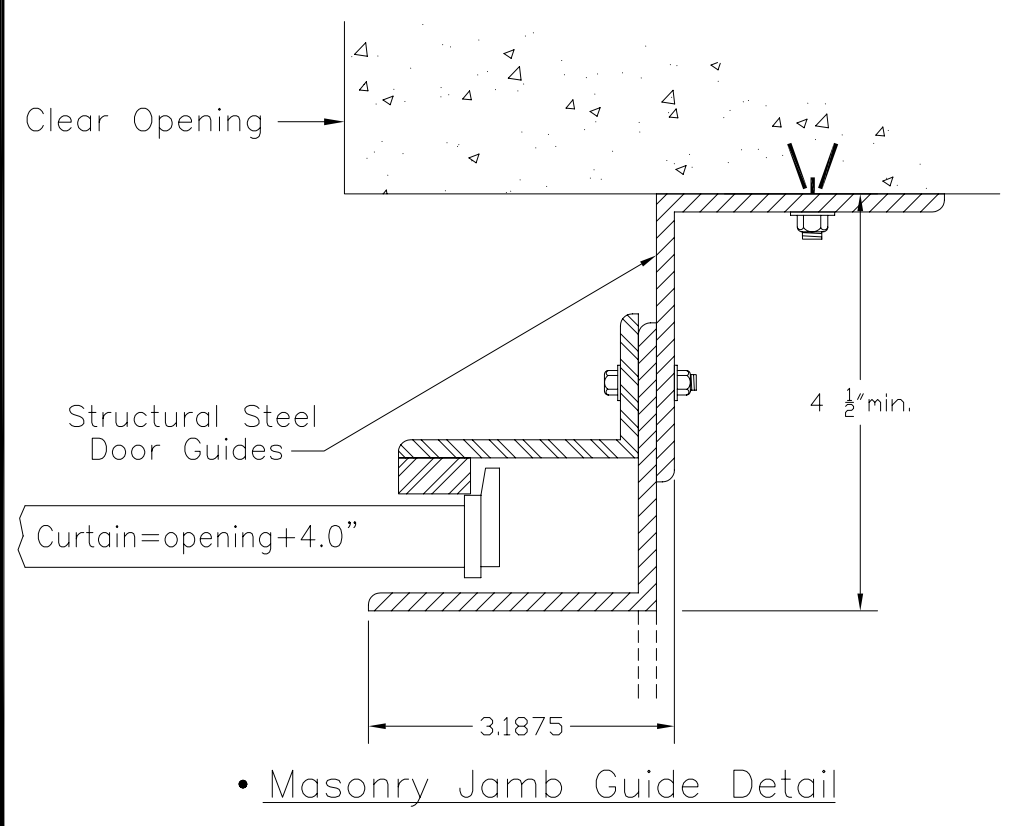
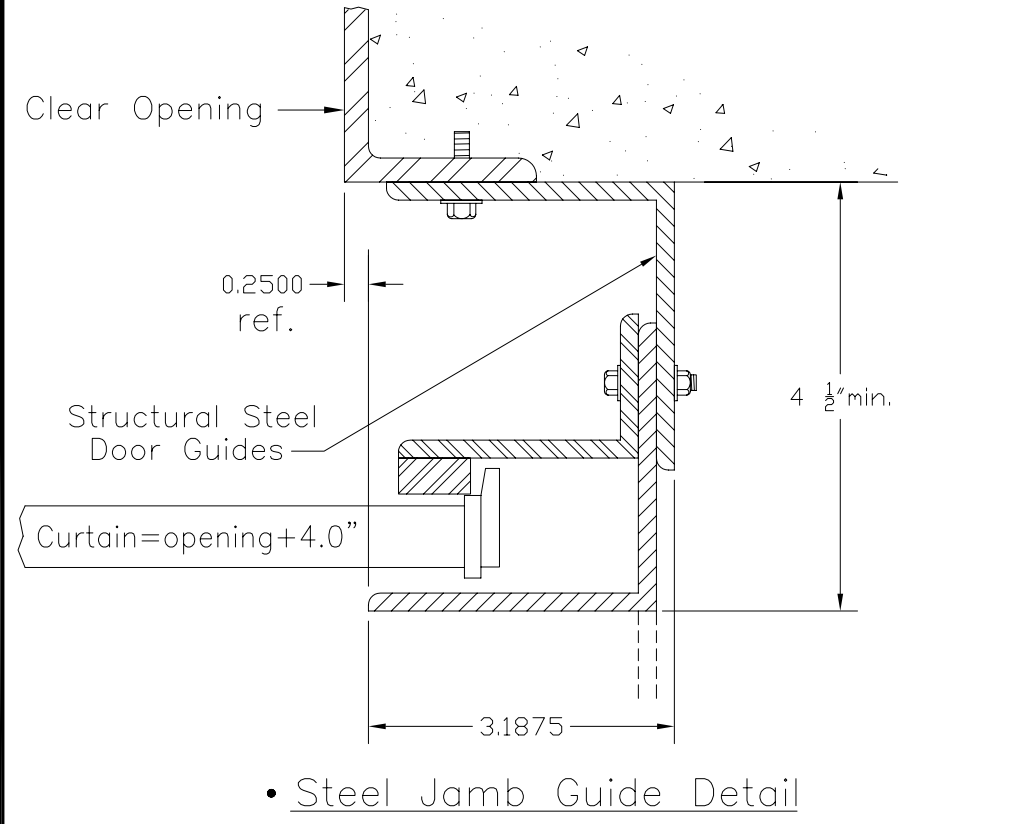



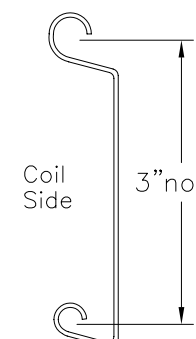
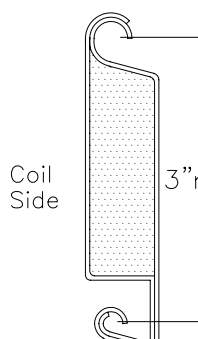
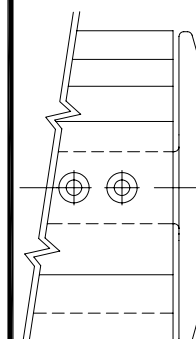
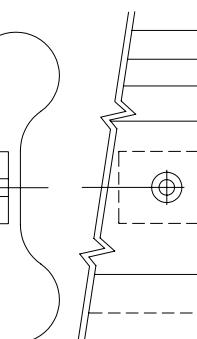
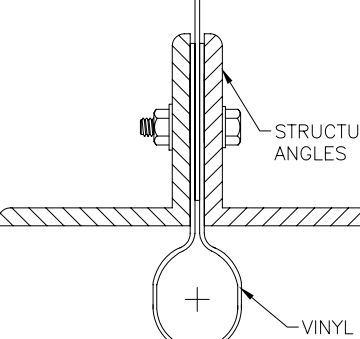
- MOTOR OPTIONS
- LIFTMASTER MDL LGO
 - LGO FRONT OF COIL MOUNTING BRACKET
 - LIFTMASTER MDL MH50 WALL MOUNT
 - GLIDEROL IN-TUBE OPERATOR

Maximum door size 24'-0" wide x 24'-0" high, consult factory for larger sizes. See Drawing 900-60-192 for Wind Load Model.

Interior Elevation
Inside Face of Wall Mount
Coil Side

HEADROOM	DIM. A	DIM. B	HOOD DIM. A
UP TO 10'-0"	22"	22"	25"
10'-1" TO 12'-0"	23"	23"	25"
12'-1" TO 14'-0"	24"	24"	25"
14'-1" TO 16'-0"	Consult Factory		
16'-1" TO 18'-0"	Consult Factory		
18'-1" TO 20'-0"	Consult Factory		



					
• 900 CURVED SLAT	• 901 FLAT SLAT	• 902 INSULATED	• END LOCKS	• WIND LOCKS	BOTTOM BAR

SLAT FINISH • GALVANIZED STL • PREFINISHED WHITE PRIMED • LIGHTSTONE TAN • BRONZE DURANODIC COLOR

WIND LOCK MATERIAL • CAST MALLEABLE IRON RIVET P/N: U210015

STRUCTURAL STEEL CONSTRUCTION

DOOR MARK	QTY.	ROUGH OPENING		TYPE OF OPERATION CHAIN or MOTOR (4)	HAND OF OPERATION LH or RH	BUILDING JAMBS SJ or MJ	SLAT TYPE CURVED, FLAT or INSULATED	SLAT FINISH	GA.	END LOCK TYPE NYLON or CAST	SLIDE LOCKS CS or OCS	STANDARD GALV. FINISH	HOOD WHITE FINISH	HOOD BAFFLE	GUIDE WEATHER-STRIPPING	ADDITIONAL REMARKS
		WIDTH	HEIGHT													
A		x										<input type="checkbox"/>	<input type="checkbox"/>	<input type="checkbox"/>	<input type="checkbox"/>	
												<input type="checkbox"/>	<input type="checkbox"/>	<input type="checkbox"/>	<input type="checkbox"/>	
												<input type="checkbox"/>	<input type="checkbox"/>	<input type="checkbox"/>	<input type="checkbox"/>	
												<input type="checkbox"/>	<input type="checkbox"/>	<input type="checkbox"/>	<input type="checkbox"/>	

MODEL 900 & 901

U.S. Door & Building Components

10407 Rocket Blvd. Orlando Fl. 32824
407.859.6770 Fax 407.447.2923 usdoor.com

JOB: _____
CONTRACTOR: _____
ARCHITECT: _____
ADDRESS: _____
DISTRIBUTOR: _____
ADDRESS: _____

DATE: 07.31.08 SHEET: 1
DRAWN BY: C.D.W.
CHECKED BY: G.O.G.
DRAWING NUMBER
900-00-192

Last revision 07.31.08