

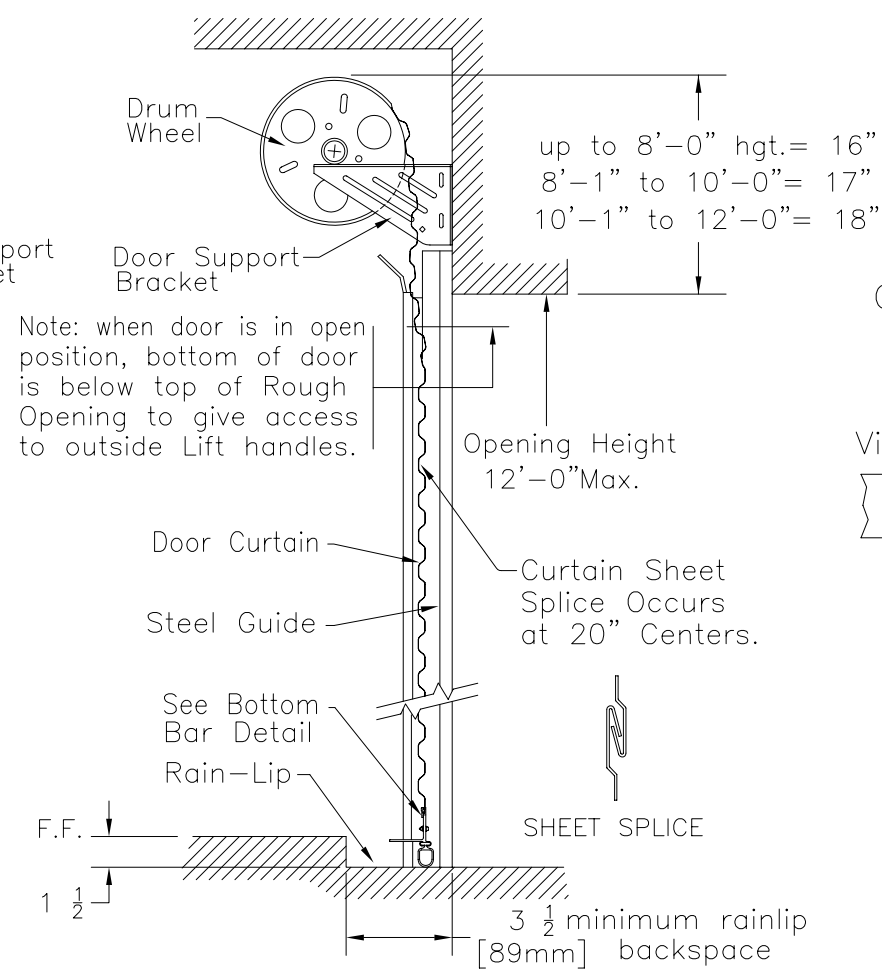
INTERIOR ELEVATION

Scale: None

Maximum spacing of guide anchors "X" = 32".

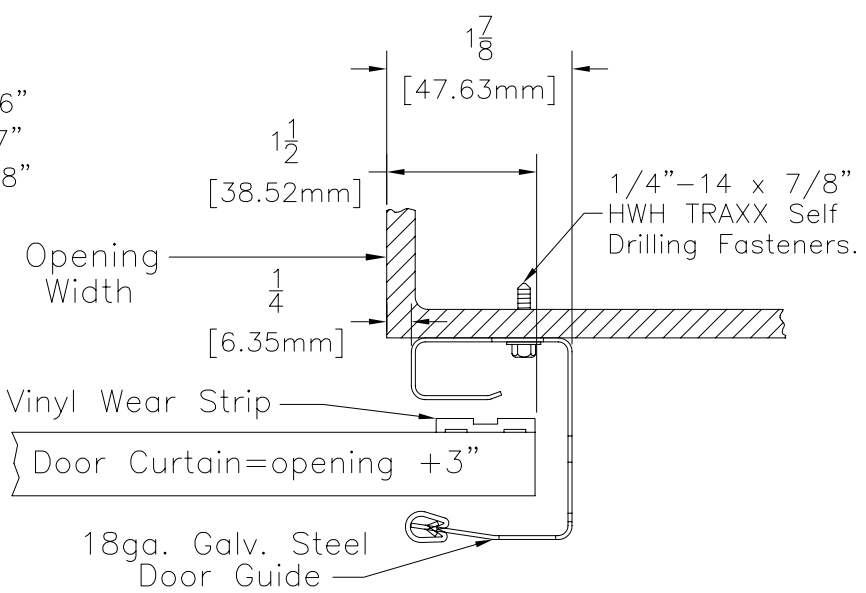
Door Curtain: .017 Hot Dip Galvanized Steel
ASTM A-653 Structural Steel
(Grade 80) With Full Coat Of Primer And
Baked Polyester Finish Coat.

Note: when door is in open position, bottom of door is below top of Rough Opening to give access to outside Lift handles.

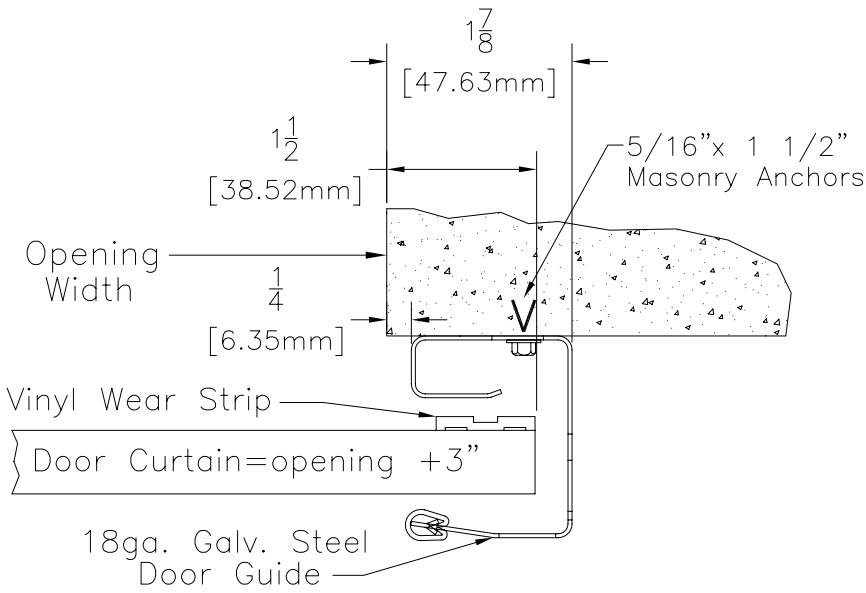


SECTION THRU DOOR

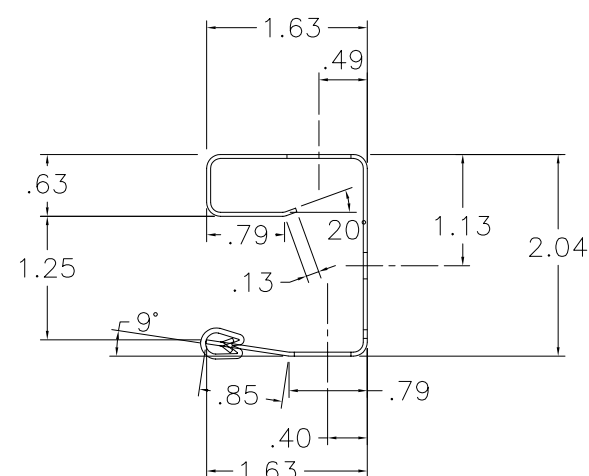
Scale: None



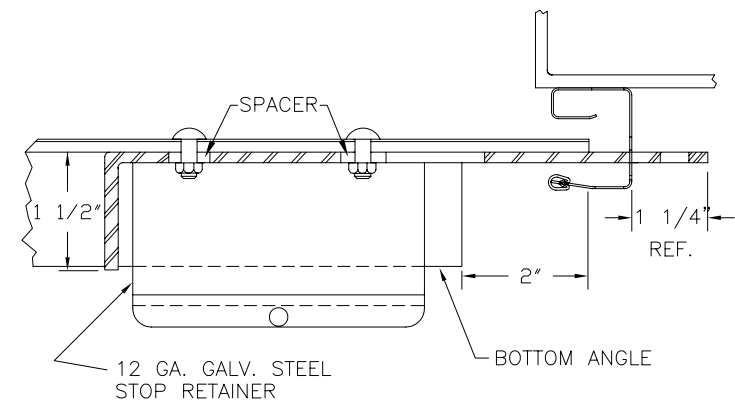
MODEL 536 STEEL JAMB



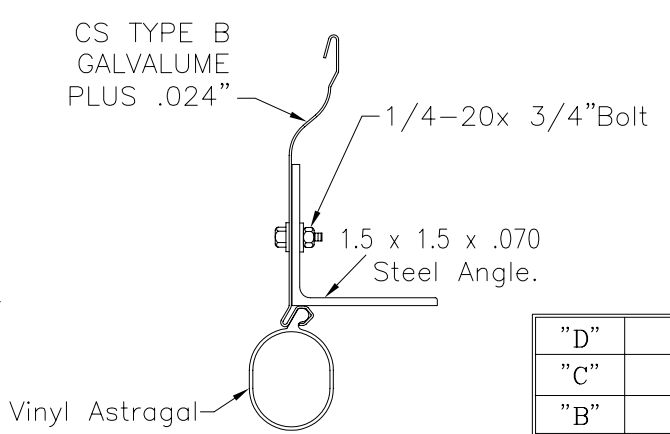
MODEL 536 MASONRY JAMB



536 DOOR GUIDE



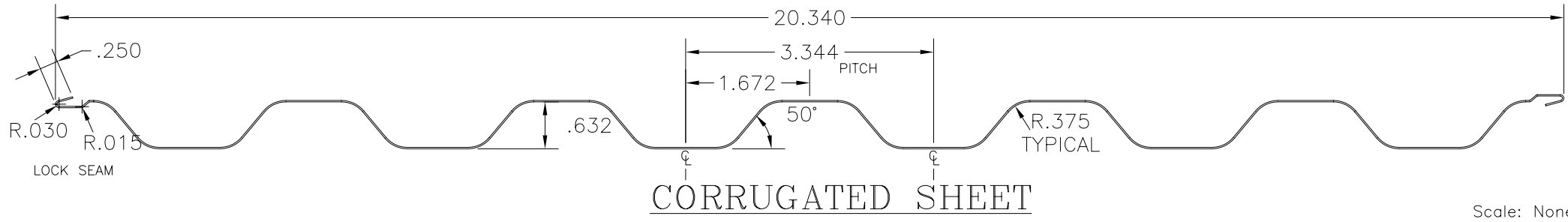
SLIDE BOLT LOCK ASSEMBLY



BOTTOM BAR

"D"	"C"	"B"	"A"	
DOOR	QTY.	WIDTH x HGT.	TYPE OF OPERATION	SPECIAL COMMENTS

Maximum door size 12'-0" wide x 12'-0" high



CORRUGATED SHEET

Scale: None

MODEL 536

	JOB: _____	DATE: 07.01.09 SHEET: 1
	CONTRACTOR: _____	DRAWN BY: C.D.W.
10407 Rocket Blvd. Orlando Fl. 32824 407.859.6770 Fax 407.447.2923 usdoor.com	ARCHITECT: _____	CHECKED BY: _____
	DISTRIBUTOR: _____	DRAWING NUMBER
	ADDRESS: _____	536-00-144

July 1, 2009