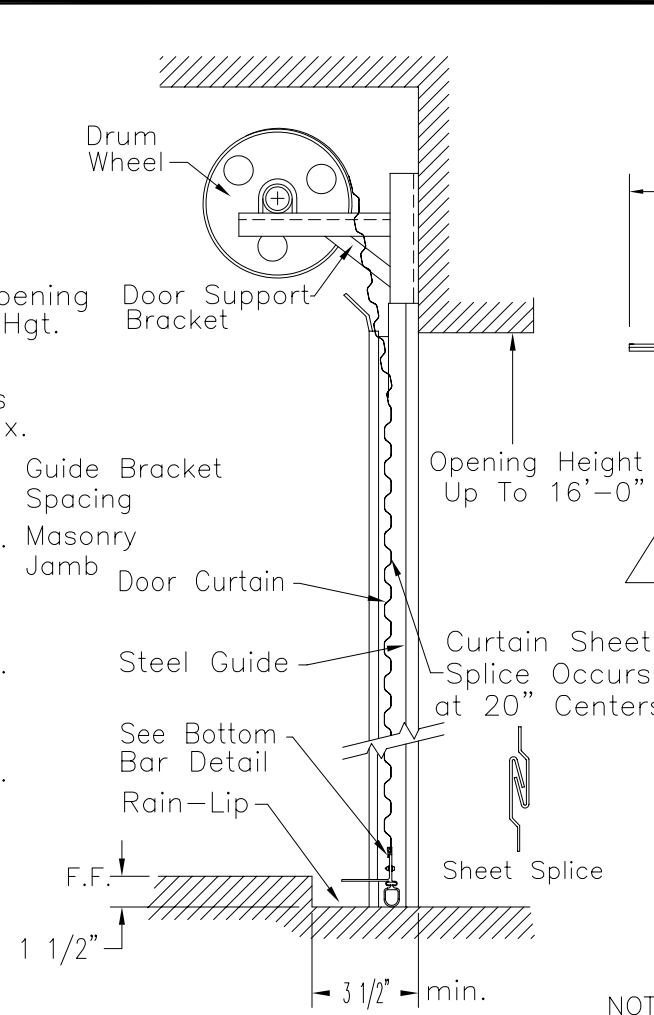


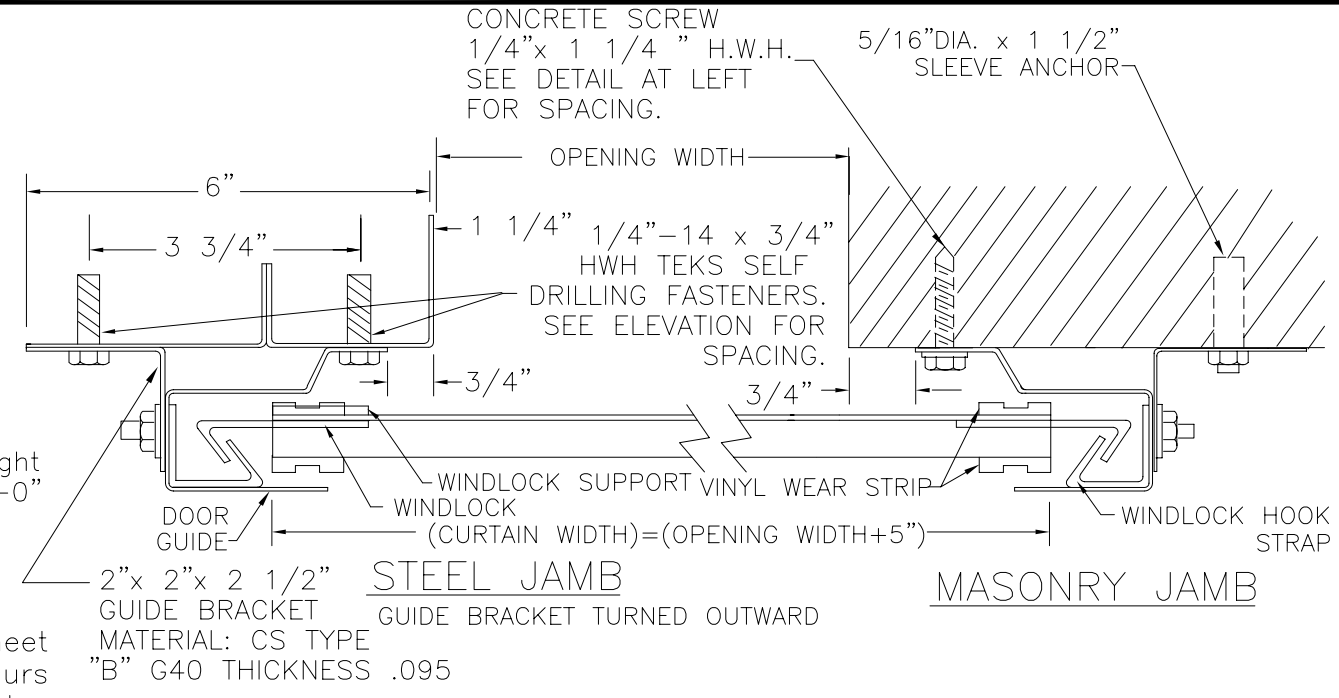
**INTERIOR ELEVATION**

Guide Fastener Spacing & Track Bracket Spacing Similar for Both Guides. Scale: None



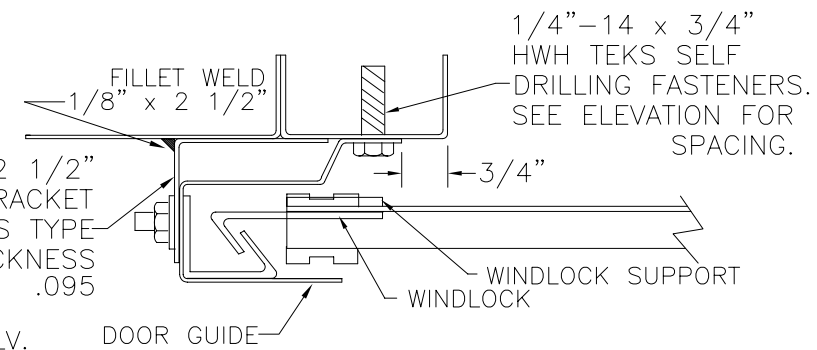
**SECTION @ DOOR**

Door Curtain: .018±.001 Hot Dip Galvanized Steel ASTM A-653 Structural Steel (Grade 80) With Full Coat Of Primer And Baked Polyester Finish Coat.



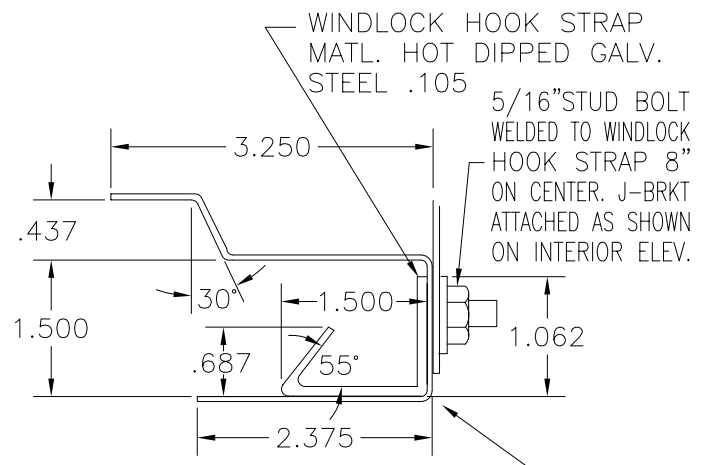
**STEEL JAMB**  
GUIDE BRACKET TURNED OUTWARD  
MATERIAL: CS TYPE "B" G40 THICKNESS .095

**MASONRY JAMB**



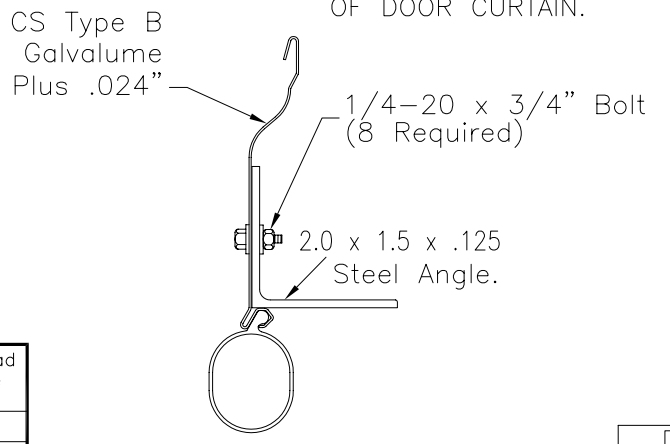
**STEEL JAMB**  
GUIDE BRACKET TURNED IN & WELDED ALTERNATE MOUNTING

NOTE WINDLOCKS STAMPED FROM .130" GALV. STEEL (.75"x 2.375") AND RIVETED TO ALTERNATE CORRUGATIONS WITH (2) 3/16" STEEL POP RIVETS SUPPORTED BY A 16 GA. STEEL BACK UP PLATE ON EXTERIOR SIDE OF DOOR CURTAIN.



**DOOR GUIDE**

GUIDES MADE FROM .070 HOT DIPPED GALV. STEEL



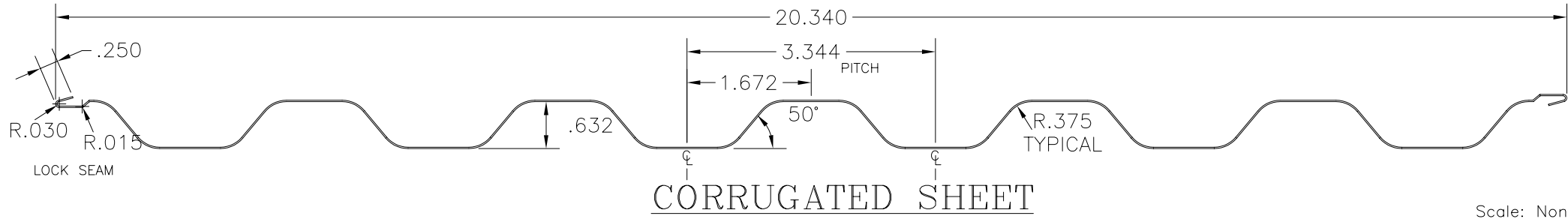
**BOTTOM BAR**

Refer to test report No. CTLA 1956W-1 Dated 02/27/09

Doors designed for 37<sup>2</sup> #/ft POS./NEG. PSF wind load Maximum door size 16'-0" wide x 16'-0" high

TABLE 1

Model	Maximum Door Width	Maximum Door Height	Drawing Number	Design Load Positive P.S.F.	Design Load Negative P.S.F.
651	8'-0"	16'-0"	651-37-192	118.8	118.8
651	10'-0"	16'-0"	651-37-192	80.1	80.1
651	12'-0"	16'-0"	651-37-192	58.9	58.9
651	14'-0"	16'-0"	651-37-192	45.8	45.8
651	16'-0"	16'-0"	651-37-192	37.0	37.0



**CORRUGATED SHEET**

COLOR:

D					
C					
B					
A					
DOOR	QTY.	WIDTH	HEIGHT	TYPE OF OPERATION	SPECIAL COMMENTS

**MODEL 651-37**

**U.S. Door & Building Components**

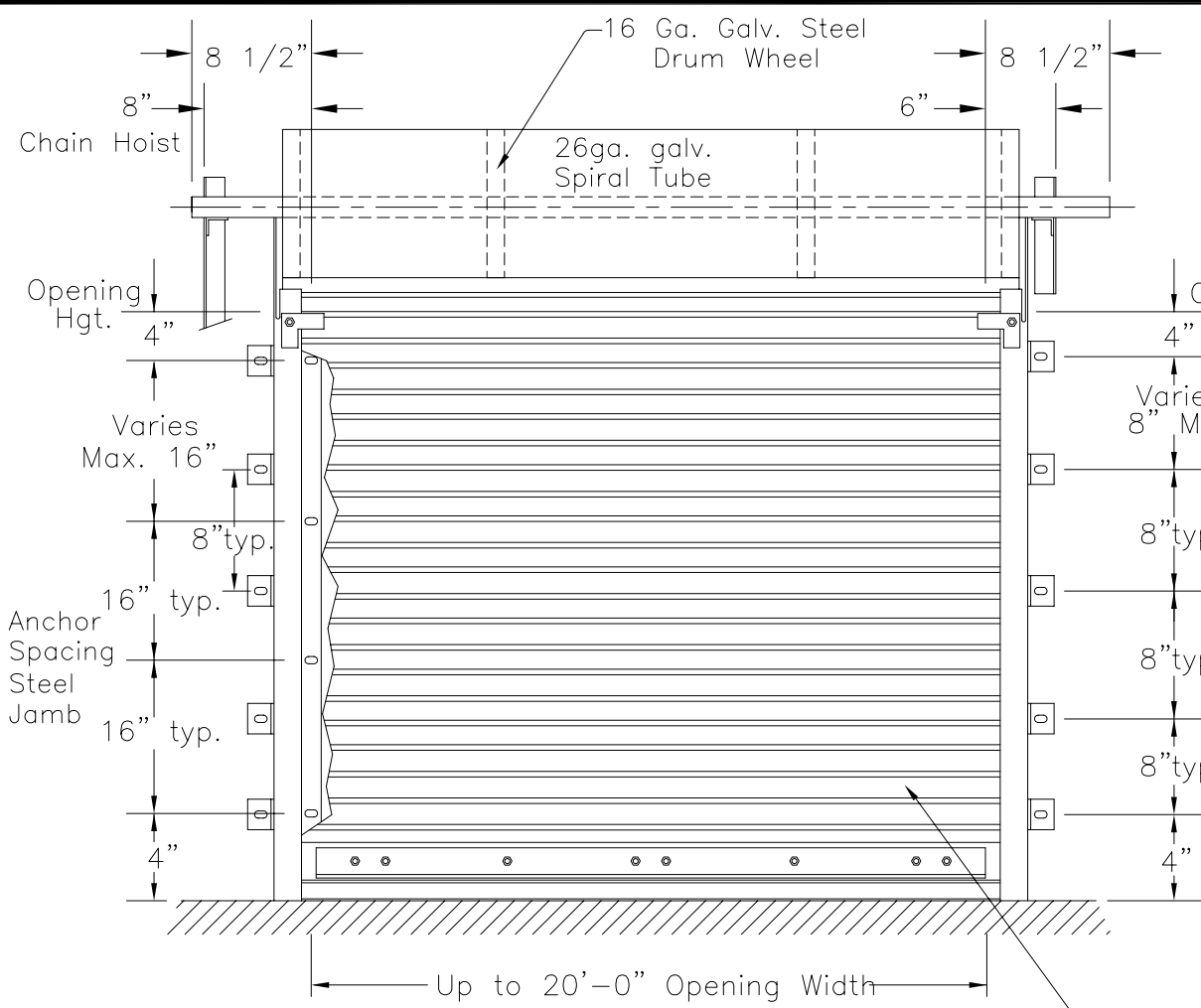
10407 Rocket Blvd. Orlando Fl. 32824  
407.859.6770 Fax 407.447.2923 usdoor.com

JOB: \_\_\_\_\_  
CONTRACTOR: \_\_\_\_\_  
ARCHITECT: \_\_\_\_\_  
ADDRESS: \_\_\_\_\_  
DISTRIBUTOR: \_\_\_\_\_  
ADDRESS: \_\_\_\_\_

DATE: 11/19/02 SHEET: 1  
DRAWN BY: C.D.W.  
CHECKED BY: G.O.G.  
DRAWING NUMBER: 651-37-192

Scale: None

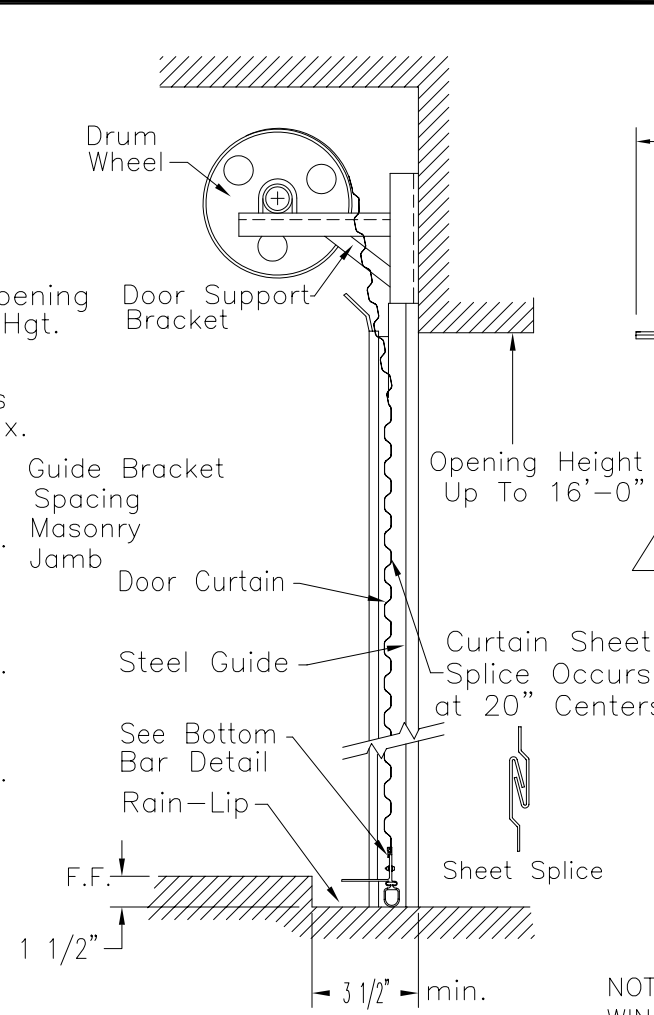
Revised 02-27-09



**INTERIOR ELEVATION**

Guide Fastener Spacing & Track Bracket Spacing Similar for Both Guides.

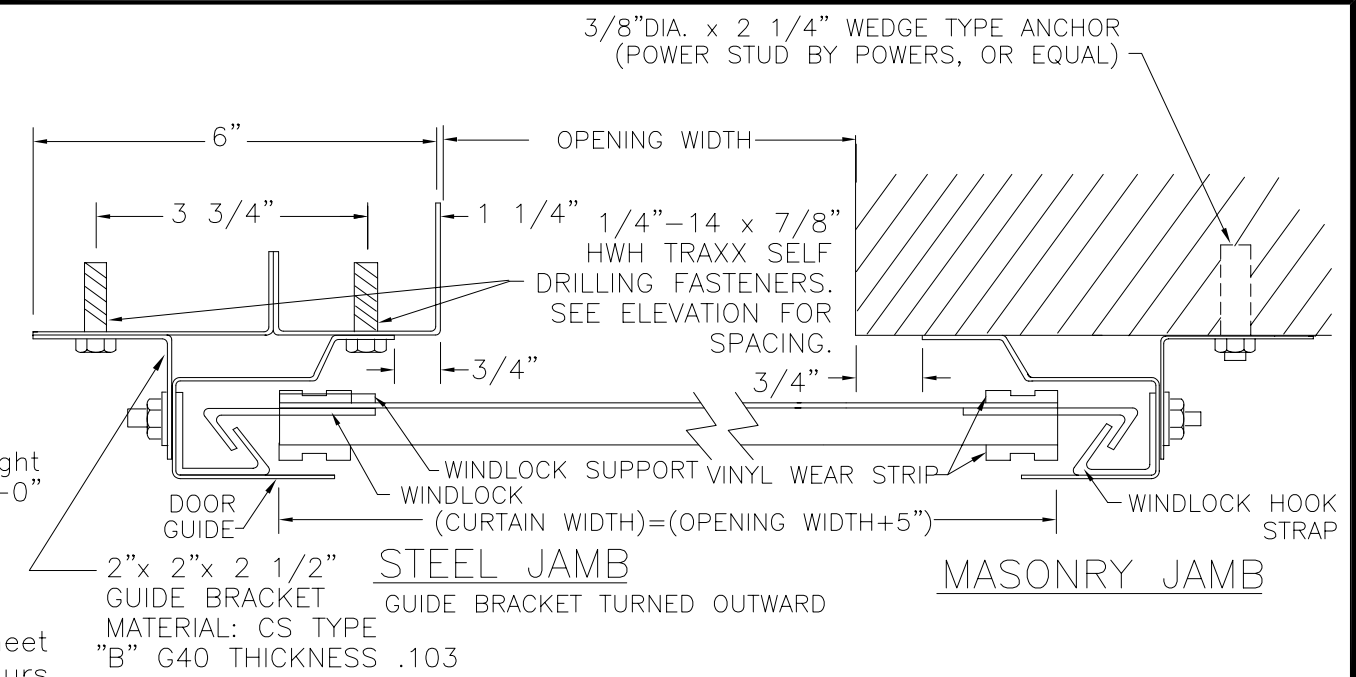
Scale: None



**SECTION @ DOOR**

Door Curtain: .018±.001 Hot Dip Galvanized Steel ASTM A-653 Structural Steel (Grade 80) With Full Coat Of Primer And Baked Polyester Finish Coat.

Scale: None

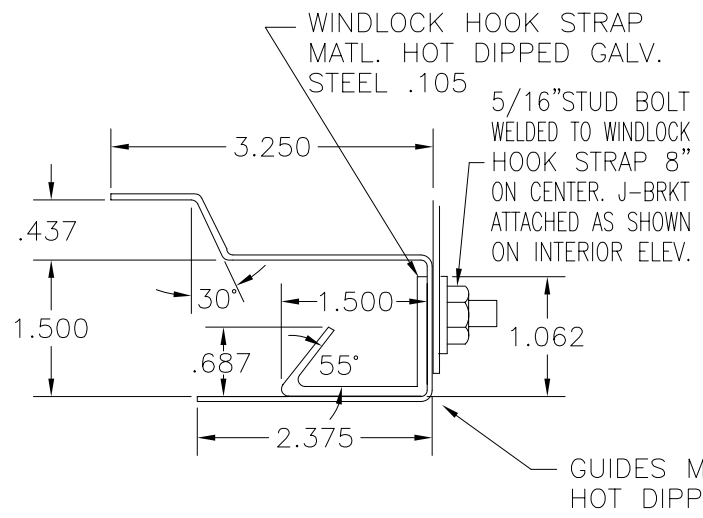


**STEEL JAMB**

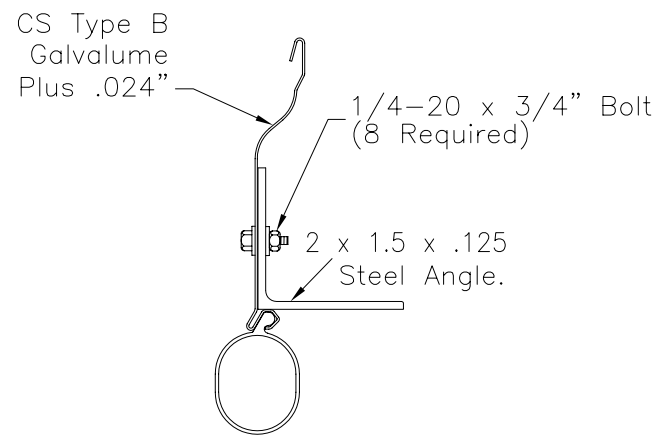
2" x 2" x 2 1/2" GUIDE BRACKET MATERIAL: CS TYPE "B" G40 THICKNESS .103

GUIDE BRACKET TURNED IN & WELDED ALTERNATE MOUNTING

NOTE WINDLOCKS STAMPED FROM .130" GALV. STEEL (.75"x 2.375") AND RIVETED TO ALL CORRUGATIONS (10) PER SHEET, WITH (2) 3/16" STEEL POP RIVETS SUPPORTED BY A 16 GA. STEEL BACK UP PLATE ON EXTERIOR SIDE OF DOOR CURTAIN.



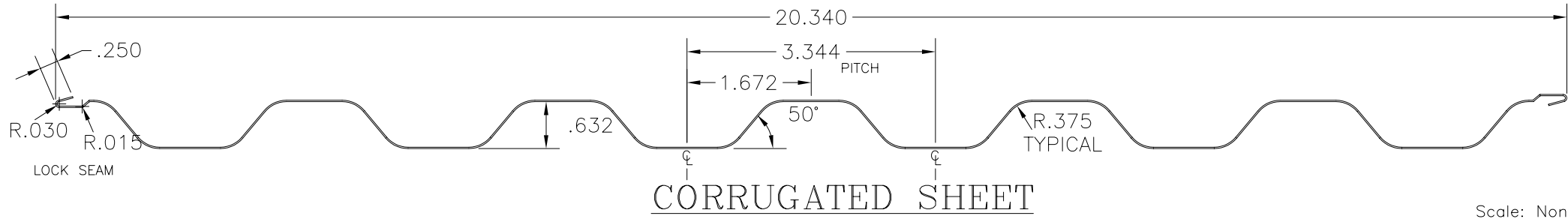
**DOOR GUIDE**



**BOTTOM BAR**

Refer to test report No. CTLA 1956W Dated 02/25/09

Doors designed for 26#/ft<sup>2</sup> POS. & 28#/ft<sup>2</sup> NEG. PSF wind load Maximum door size 20'-0" wide x 16'-0" high



COLOR:					
D					
C					
B					
A					
DOOR	QTY.	WIDTH	HEIGHT	TYPE OF OPERATION	SPECIAL COMMENTS

**MODEL 651-28**

**U.S. Door & Building Components**

10407 Rocket Blvd. Orlando Fl. 32824  
407.859.6770 Fax 407.447.2923 usdoor.com

JOB: \_\_\_\_\_  
CONTRACTOR: \_\_\_\_\_  
ARCHITECT: \_\_\_\_\_  
ADDRESS: \_\_\_\_\_  
DISTRIBUTOR: \_\_\_\_\_  
ADDRESS: \_\_\_\_\_

DATE: 10/12/01 SHEET: 1  
DRAWN BY: C.D.W.  
CHECKED BY: G.O.G.  
DRAWING NUMBER: 651-28-240

Scale: None

Revised 02.25.09