

SLAT FINISH • GALVANIZED STL • PREFINISHED WHITE PRIMED • LIGHTSTONE TAN • BRONZE DURANODIC COLOR WIND LOCK MATERIAL • CAST MALLEABLE IRON RIVET P/N: U210015 EXTRUDED ALUMINUM CONSTRUCTION

DOOR MARK	QTY.	ROUGH OPENING		TYPE OF OPERATION CHAIN or MOTOR (4)	HAND OF OPERATION LH or RH	BUILDING JAMBS SJ or MJ	SLAT TYPE CURVED, FLAT or INSULATED	SLAT FINISH	GA.	END LOCK TYPE NYLON or CAST	SLIDE LOCKS CS or OCS	STANDARD HOOD GALV. FINISH	HOOD WHITE FINISH	HOOD BAFFLE	GUIDE WEATHER-STRIPPING	ADDITIONAL REMARKS		
		WIDTH	HEIGHT															
A		x																
B		x																
C		x																
D		x																
E		x																

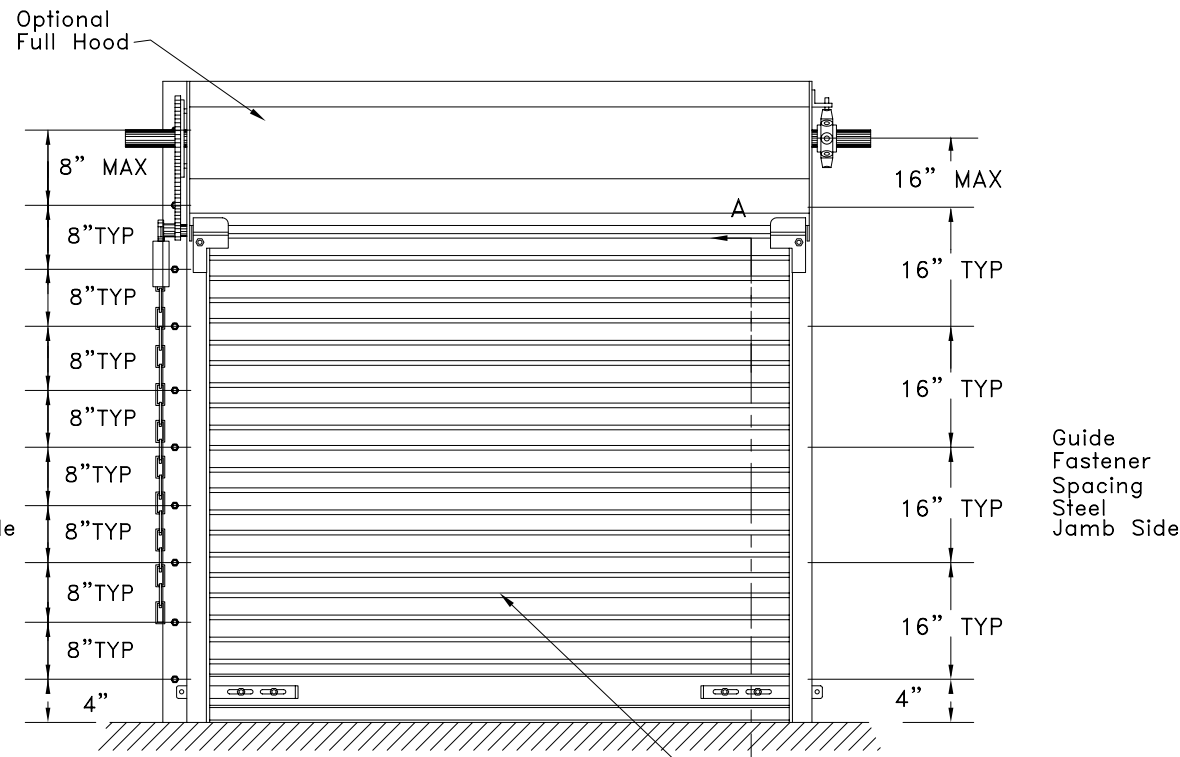
MODEL 800 & 801

U.S. Door & Building Components
10407 Rocket Blvd. Orlando Fl. 32824
407.859.6770 Fax 407.447.2923 usdoor.com

JOB: _____
CONTRACTOR: _____
ARCHITECT: _____
ADDRESS: _____
DISTRIBUTOR: _____
ADDRESS: _____

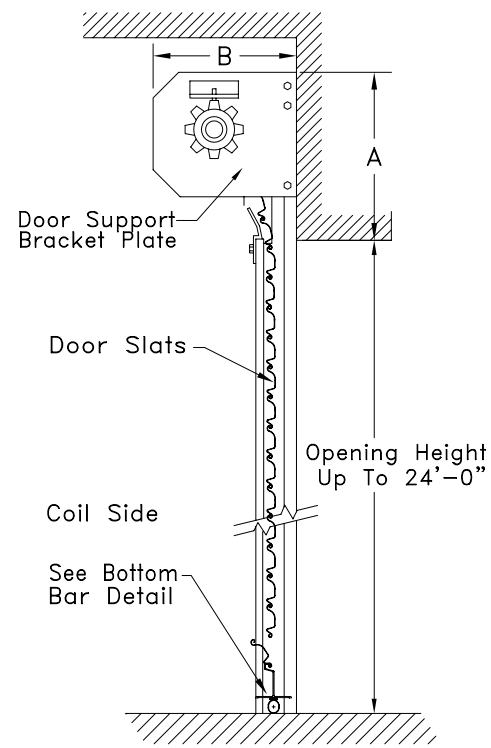
DATE: 08.22.08 SHEET: 1
DRAWN BY: C.D.W.
CHECKED BY: G.O.G.
DRAWING NUMBER: 800-00-192

LAST REVISION 08.22.08

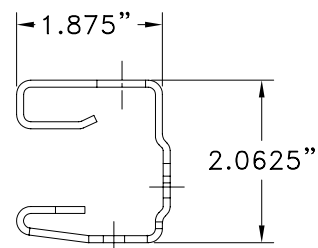


Interior Elevation
Inside Face of Wall Mount
Coil Side

DOOR CURTAIN
SEE BELOW FOR
SLAT THICKNESS

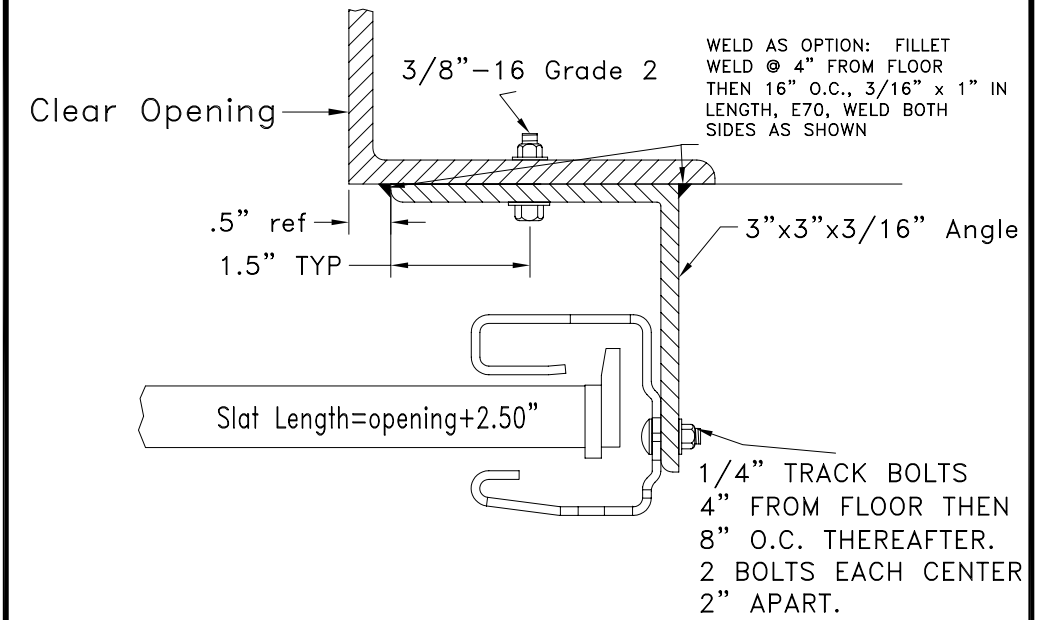


Section A-A

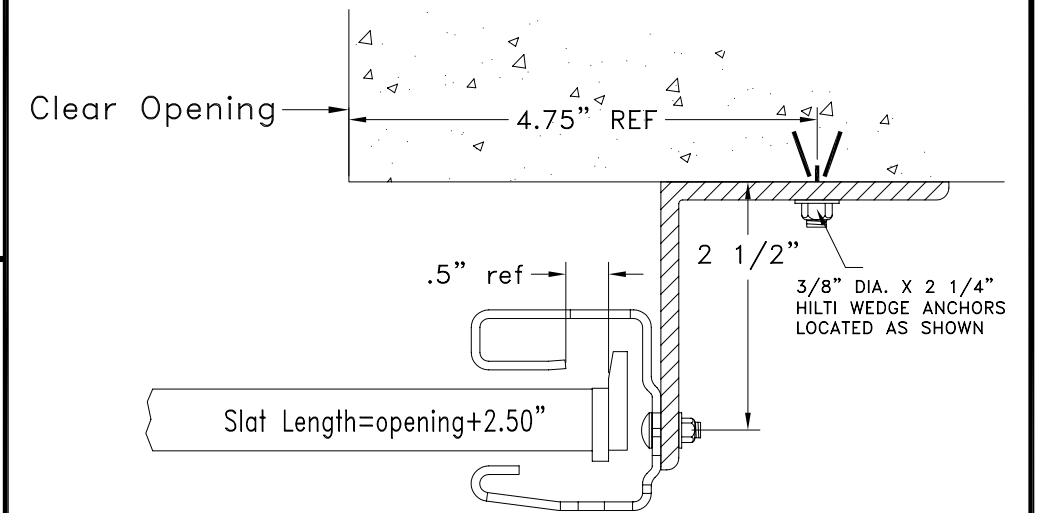


GUIDE DETAIL
.090" Steel

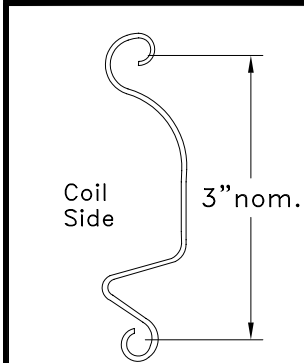
HEADROOM	DIM. A	DIM. B	HOOD DIM. A
UP TO 10'-0"	22"	22"	25"
10'-1" TO 12'-0"	23"	23"	25"
12'-1" TO 14'-0"	24"	24"	25"
14'-1" TO 16'-0"	Consult Factory		
16'-1" TO 18'-0"	Consult Factory		
18'-1" TO 20'-0"	Consult Factory		



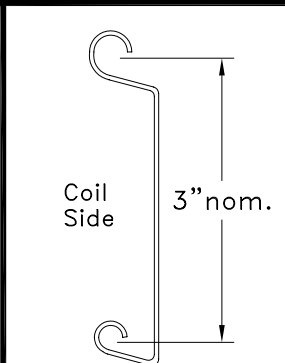
• **Steel Jamb Guide Detail**



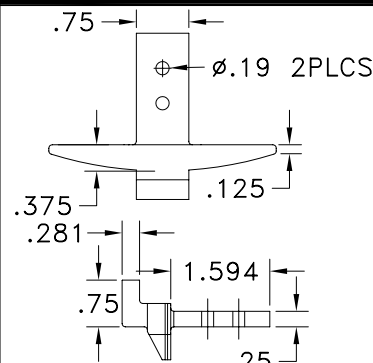
• **Concrete Jamb Guide Detail**



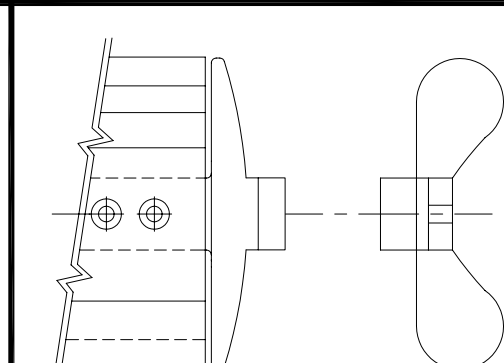
• **800 CURVED SLAT**



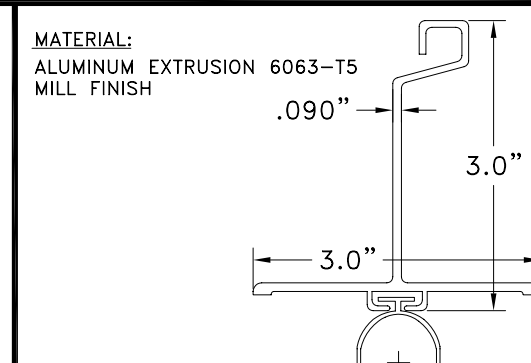
• **801 FLAT SLAT**



• **WINDLOCK DETAIL**



• **WINDLOCK TO SLAT ASSY**



• **BOTTOM BAR**

MATERIAL:
ALUMINUM EXTRUSION 6063-T5
MILL FINISH

NOTES:
DOORS DESIGNED FOR ±40.0 # PER FT WITH .028" SLATS AT 16 FT IN WIDTH. REFER TO TEST REPORT

DOORS DESIGNED FOR ±36.0 # PER FT WITH .022" SLATS AT 16 FT IN WIDTH. REFER TO TEST REPORT

WINDLOCK MATERIAL IS CAST DUCTILE OR MALLABLE IRON.

REFER TO REPORT FOR INTERPOLATION CALCULATIONS.

RATING BASED ON .028" SLATS WITH WINDLOCK ON ALTERNATING SLATS					
8'-0" WIDE	10'-0" WIDE	12'-0" WIDE	14'-0" WIDE	16'-0" WIDE	
+172.3/-172.3 PSF	+102.9/-102.9 PSF	+69.9/-69.9 PSF	+51.4/-51.4 PSF	+40.0/-40.0 PSF	
RATING BASED ON .022" SLATS WITH WINDLOCKS ON ALTERNATING SLATS					
8'-0" WIDE	10'-0" WIDE	12'-0" WIDE	14'-0" WIDE	16'-0" WIDE	
+138.9/-138.9 PSF	+82.8/-82.8 PSF	+56.1/-56.1 PSF	+41.2/-41.2 PSF	+36.0/-36.0 PSF	

MODEL 800 & 801

U.S. Door & Building Components
10407 Rocket Blvd. Orlando Fl. 32824
407.859.6770 Fax 407.447.2923 usdoor.com

JOB: _____
CONTRACTOR: _____
ARCHITECT: _____
ADDRESS: _____
DISTRIBUTOR: _____
ADDRESS: _____

DATE: 6/6/08 SHEET: 1
DRAWN BY: C.D.W.
CHECKED BY: G.O.G.
DRAWING NUMBER
800-40-192

LAST REVISION 06/06/08